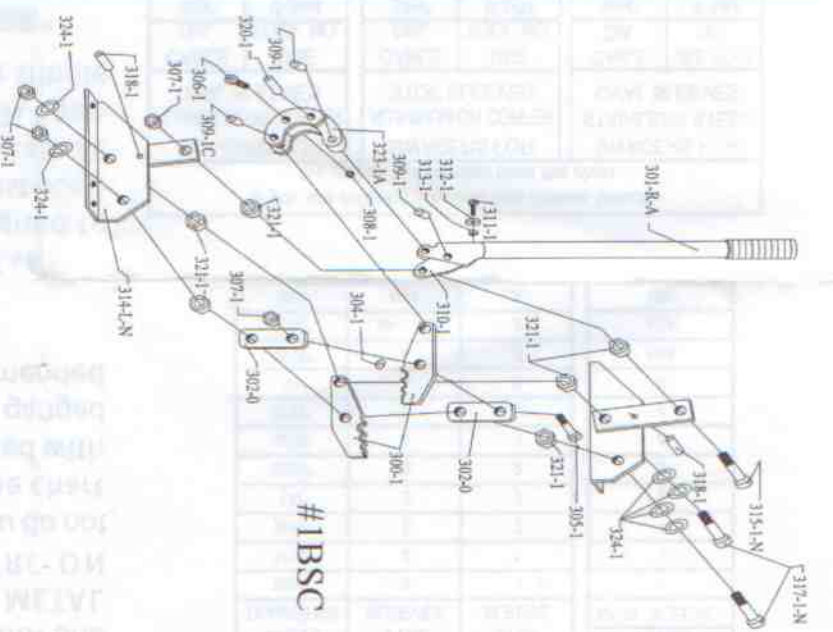
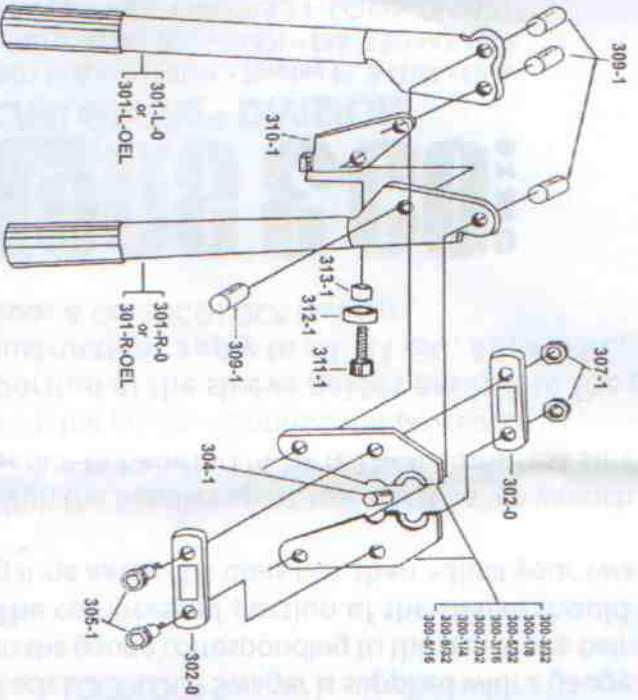


Part #	Description	Qty.
300-3/32	3/32" Swaging Jaw Head Assy.	1
300-1/8	1/8" Swaging Jaw Head Assy.	1
300-5/32	5/32" Swaging Jaw Head Assy.	1
300-3/16	3/16" Swaging Jaw Head Assy.	1
300-7/32	7/32" Swaging Jaw Head Assy.	1
300-1/4	1/4" Swaging Jaw Head Assy.	1
300-9/32	9/32" Swaging Jaw Head Assy.	1
300-5/16	5/16" Swaging Jaw Head Assy.	1
<b>SWAGING HEADS SOLD AS ASSEMBLY ONLY</b>		
<b>PARTS INCLUDED:</b>		
300-Law	Swaging Jaw Set (please specify size)	1
302-0	Plate	2
304-1	Fulcrum Pin	1
305-1	Jaw Bolt	2
307-1	Nut for Jaw Bolt	2
301-R-0 or 301-R-OEL	Handle Assy., right 3/32-3/16	1
301-R-OEL	Handle Assy., right 7/32-5/16	1
<b>SOLD AS ASSEMBLY ONLY, INCLUDES:</b>		
301-R-0 or 301-R-OEL	Handle (please specify size)	1
301-R-OEL	Handle (please specify size)	1
309-1	Connecting Pin	1
310-1	Adjusting Arm	1
311-1	Adjusting Screw	1
312-1	Washer	1
313-1	Nylon Bushing	1
301-L-0 or 301-L-OEL	Handle, left (3/32-3/16)	1
301-L-OEL	Handle, left (7/32-5/16)	1
309-1	Connecting Pin	3

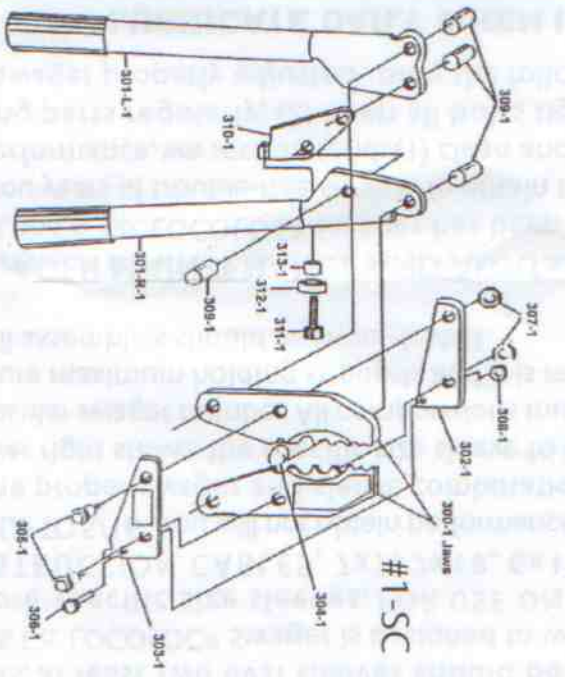
#0-SC



#1BSC

Part #	Description	Qty.
300-1B	Swaging Jaw Head Assy	1
<b>SOLD AS ASSEMBLY ONLY, INCLUDES:</b>		
300-1 Jaws	Swaging Jaw Set	1
302-0	Plate	2
304-1	Fulcrum Pin	1
305-1	Jaw Bolt	1
307-1	Nut for Jaw Bolt	4
314-R-N	Mount Bracket Assy. right	1
314-L-N	Mount Bracket Assy. Left	1
318-1	Pin for Mount Bracket	2
<b>PIN FOR MOUNT BRACKET IS INCLUDED IN ASSEMBLY</b>		
315-1-N	Bolt - Handle (to mount brackets)	1
317-1-N	Bolt - Lower Rear Jaw (& Mt. Brackets)	2
321-1	Bolt - Lower Front (& Mt. Brackets)	6
324-1	Spacer Nut (small)	6
324-1	Flat Washer	6
301-R-1A	Handle Assembly	1
301-R-1	Handle	1
309-1	Connecting Pin	2
310-1	Adjusting Arm	1
311-1	Adjusting Screw	1
312-1	Washer	1
313-1	Nylon Bushing	1
309-1C	Connecting Pin	1
323-1A	Connecting Link Assy.	1
<b>SOLD AS ASSEMBLY ONLY, INCLUDES:</b>		
308-1	Nut for Connecting Link Bolt	1
306-1	Connecting Link Bolt	1
320-1	Connecting Pin	1

#1-SC



Part #	Description	Qty.
301-L-1	Handle, left	1
309-1	Connecting Pin	3
<b>SOLD AS ASSEMBLY ONLY, INCLUDES:</b>		
300-1 Jaws	Swaging Jaw Set	1
302-1	Back Plate	1
303-1	Front Plate	1
304-1	Fulcrum Pin	1
305-1	Jaw Bolt	2
306-1	Plate Bolt	1
307-1	Nut for Jaw Bolt	2
308-1	Nut for Plate Bolt	1
301-R-1A	Handle Assembly, right	1
<b>SOLD AS ASSEMBLY ONLY, INCLUDES:</b>		
301-R-1	Handle	1
309-1	Connecting Pin	1
310-1	Adjusting Arm	1
311-1	Adjusting Screw	1
312-1	Washer	1
313-1	Nylon Bushing	1